

# AS Ultra<sup>LITE</sup> HE & AS Micro Ultra<sup>LITE</sup> HE (ASU) Series Connectors

AS Micro Ultra<sup>LITE</sup> HE (3-Way)



## Unique DEUTSCH designed product

- Smaller alternative to ASL range
- Cable accommodation 24-30 AWG (5 way), 22-28 AWG (3 way)
- 17% smaller coupling ring than ASL
- 30% lighter than ASL (mated pair)

## 2 Different Contact Options

- 5x AWG24 contacts
- 3x AWG22 contacts

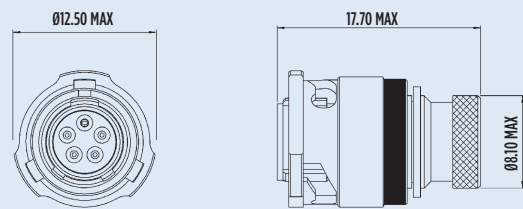
## Built to Withstand Harsh Environments

- Conductive black zinc finish
- Interfacial wire sealing
- Bonded and sealed insert to prevent moisture ingress

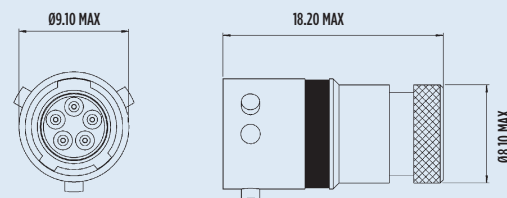


AS Ultra<sup>LITE</sup> HE (5-Way)

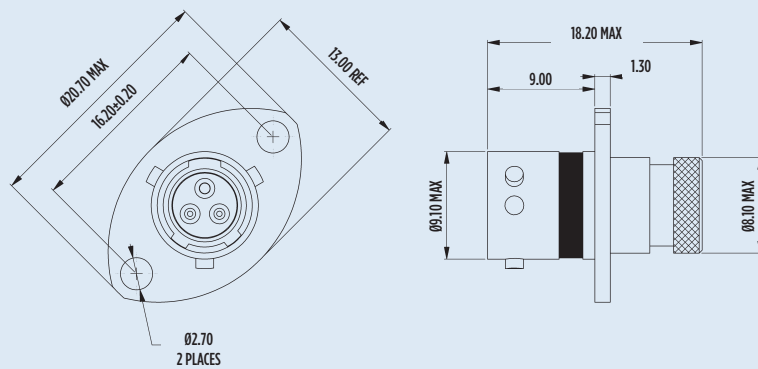
### PLUG - TYPE 6



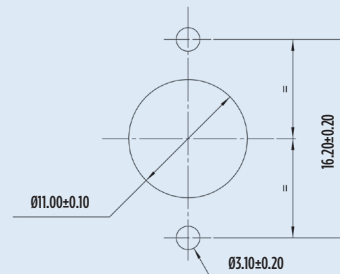
### INLINE RECEPTACLE - TYPE 1



### RECEPTACLE - TYPE 0



### PANEL CUT-OUT DETAIL



All dimensions are in mm unless otherwise stated.

## GENERAL SPECIFICATION

No. of Ways	Contact Size	Shell Size	Max. Current (amps)	Durability (cycles of engagement & disengagement)	Dielectric Withstanding Voltage (VAC)	No. of Keyway Orientations	Wire Sealing (mm)		Temperature (°C)*	
							Min	Max	Min	Max
3	22	3	5	500	1500	6	0.76	1.37	-55	+170
5	24	3	3		1000		0.56	1.02		

\* The upper limit is the maximum internal hot-spot temperature resulting from the combination of the ambient temperature and heating due to current.

\*\* Current leakage less than 2 milliamps at (VAC)

## CONTACTS & TOOLING PART NUMBERS

Contact Size	Socket	Pin	PCB Socket	PCB Pin	Filler Plug	Ins/Ext Tool	Crimp Tool	Socket Positioner	Pin Positioner
22	604984	604946-31	605681	605679-31	600300-22	M81969/14-01	M22520/2-01	605464	605463
24	605704	605705-31	605902	605900-31	600300-24	605837		605840	605839

## ORDERING INFORMATION

ASU \* 03 - \*\* \* \* \*\*

**Range Ref:** \_\_\_\_\_

**Style:**  
 0 = 2 Hole Flange Receptacle  
 1 = Inline Receptacle  
 2 = 2 Hole Flange Receptacle with PCB contacts  
 6 = Free Plug

**Shell Size:** \_\_\_\_\_

**Contact Arrangement:** \_\_\_\_\_

**Insert Type:**  
 P = Pin  
 S = Socket

**Shell Keyways:**  
 N = Red (standard)  
 A = Yellow  
 B = Blue  
 C = Orange  
 D = Green  
 E = Grey  
 U = Violet  
 U = (U = Universal for test harnesses)  
 (Plug type 6 only)

**Modification Code:** \_\_\_\_\_

## ACCESSORIES PART NUMBERS

Pro Cap		Nut Plate	Gasket
Receptacle	Plug		
605684	605687	ATM396-3	GV-3

	Boot Information	
	Straight	90 degree
Raychem	204W221-25-G03	224W221-25-G03
Hellermann	1037-4-G	1182-4-G