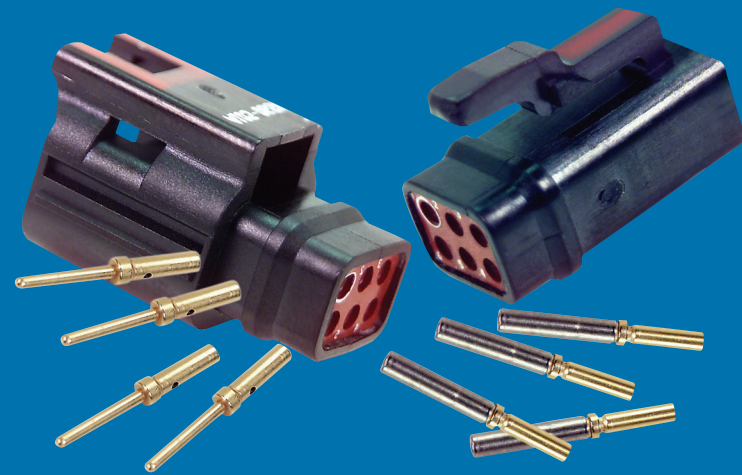


# AS Composite (ASC) Series Connectors



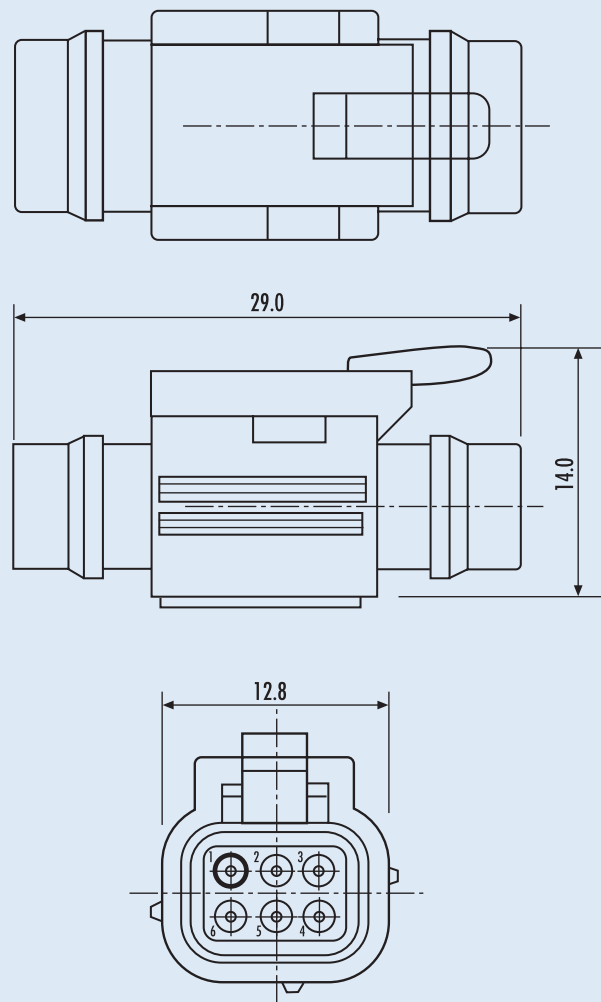
## Extremely resistant to vibration

- Military approved rugged thermoplastic housing

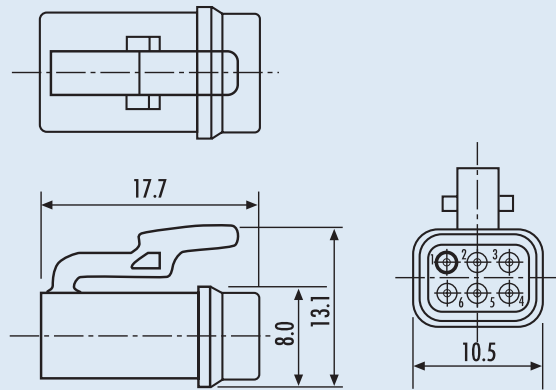
## Unique Installation Options

- Bondable with suitable adhesive in different configurations
- Cable-tie slot for security and mounting inline connections designed to fit Thomas & Betts part no. TY24 or equivalent
- Close stacking possible with locating sides and bottom

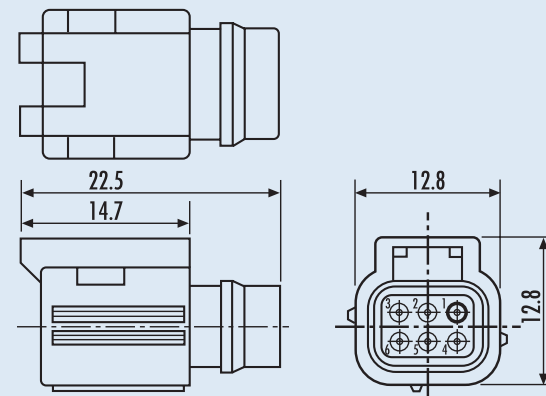
MATED PAIR



PLUG -TYPE 6



RECEPTACLE - TYPE 1



All dimensions are in mm unless otherwise stated.

## GENERAL SPECIFICATION

Contact Size	Shell Size	Max. Current (amps)	Durability (cycles of engagement & disengagement)	Dielectric Withstanding Voltage (VAC)	No. of Keyway Orientations	Wire Sealing (mm)		Temperature (°C)*	
						Min	Max	Min	Max
22	6	5	300	1500	6	0.76	1.37	-55	+170

\* The upper limit is the maximum internal hot-spot temperature resulting from the combination of the ambient temperature and heating due to current.

\*\* Current leakage less than 2 milliamps at (VAC)

## CONTACTS & TOOLING PART NUMBERS

Socket	Pin	Filler Plug	Ins/Ext Tool	Crimp Tool	Socket Positioner	Pin Positioner
604984	604946-31	600300-22	M81969/14-01	M22520/2-01	605464	605463

## ORDERING INFORMATION

Range Ref: \_\_\_\_\_ **ASC** \_\_\_\_\_ **\*** \_\_\_\_\_ **05 - 06** \_\_\_\_\_ **\*** \_\_\_\_\_ **\*** \_\_\_\_\_ **\*\*\***

Style:  
 1 = 1 Inline Receptacle  
 6 = Free plug

Shell Size: \_\_\_\_\_

Contact Arrangement: \_\_\_\_\_

Insert Type:  
 P = Pin  
 S = Socket

Shell Keyways:  
 N = Red (standard)  
 A = Yellow  
 B = Blue  
 C = Orange  
 D = Green  
 E = Grey

Modification Code: \_\_\_\_\_

Part Numbers: Receptacle: ASC105-06SN Plug: ASC605-06PN

Please note: Plug only available in pin arrangement, Receptacle only available in socket arrangement.

## ACCESSORIES PART NUMBERS

	Boot Information	
	Straight	90 degree
Raychem	204W221	224W221
Hellermann	1030-4-G	1181-4-G