

AS Hermetic Fuel Tank Series Connectors



Range of connectors designed for fuel cell walls

Selection of contact arrangements to accommodate pumps and sensors

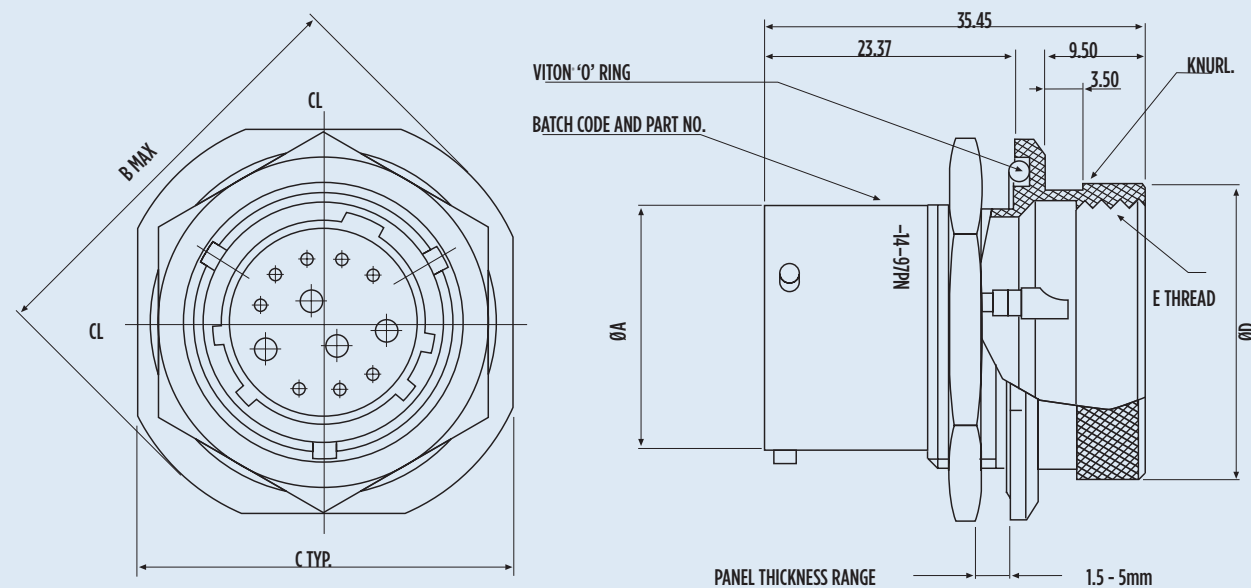
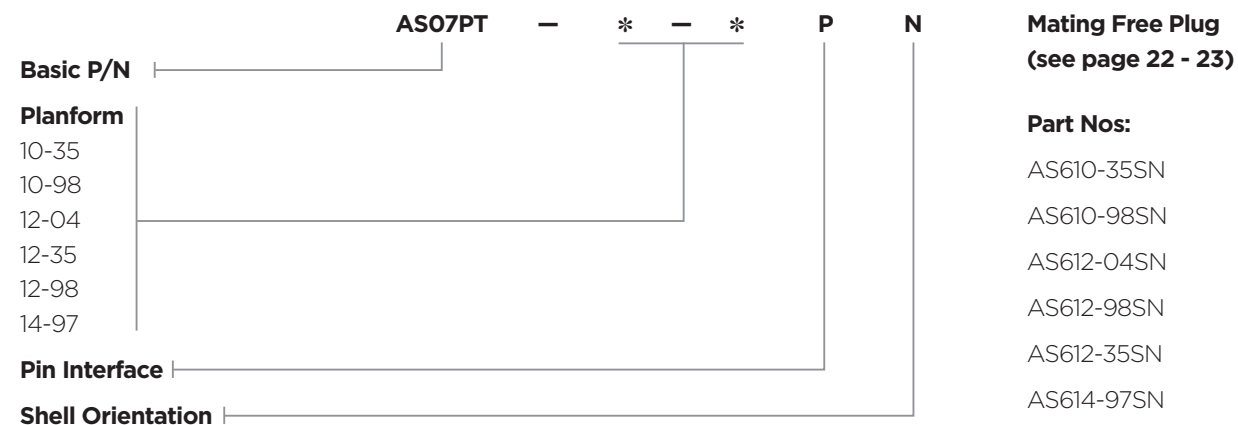
High Performance Materials

- Fuel immersible specification O-ring for enhanced fluid resistance
- Integral potting cup, rear accessory thread and external boot termination feature
- Glass seal can withstand pressure differentials of 1000 PSI without loss of electrical performance or fluid leakage

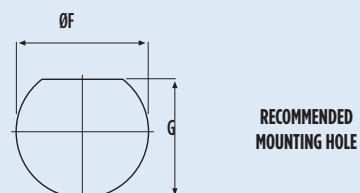
GENERAL SPECIFICATION

Contact Size	Max. Current (amps)	Sealing	Pressure	Electrical	Materials		Finish	
					Shell	Contacts	Shell	Contacts
22	5	1 x 10 ⁻⁸ cc/sec @ 15 PSI	1,000 PSI typ.	IR 5000 Mohms @ 500 volt DC	Stainless Steel (303)	Nickel Iron	Electro-polished	Gold Plated
20	7.5							
16	20							

ORDERING INFORMATION



Shell Size	Part No.	ØA MAX	B MAX	C TYP.	ØD TYP.	E THREAD	ØF MIN.	G MAX
10	AS07PT-10-**-**PN	15.04	28.40	25.95	20.50	M18x1.0	17.70	17.00
12	AS07PT-12-**-**PN	19.09	33.00	30.75	23.67	M21x1.0	22.70	21.10
14	AS07PT-14-**-**PN	22.26	36.30	33.85	26.84	M24x1.0	25.70	24.30



All dimensions are in mm unless otherwise stated.